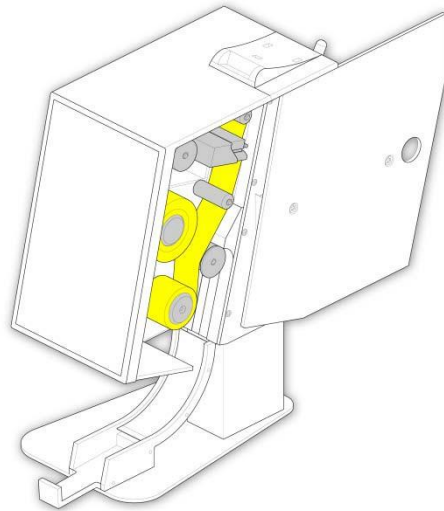


Changing the Thermal Transfer Ribbon

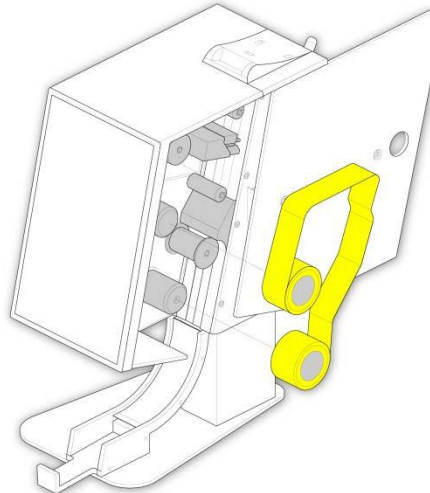
Removing the Thermal Transfer Ribbon

Once the instrument has used all the Thermal Transfer Ribbon and filled the Collection Spool, carry out the following instructions to remove:

- Open the sliding door.



- Unhook the remaining tape from the around each of the spools and remove the collection spool and supply spool from the instrument.

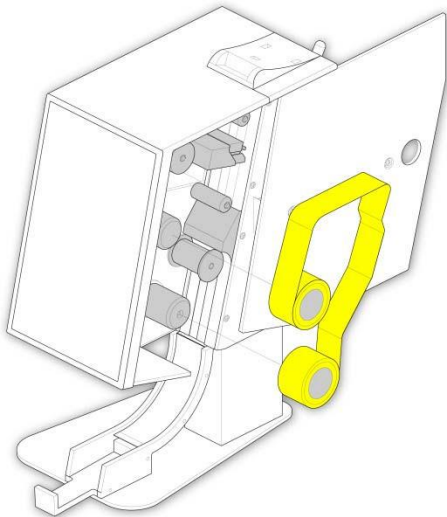
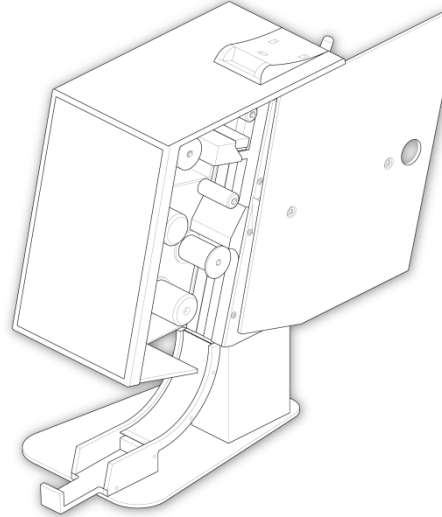


Always clean the print head when changing the ribbon. Debris can build up on the print head overtime.

Fitting the Thermal Transfer Ribbon Roll

In order to fit the Thermal Transfer Ribbon, carry out the following instructions:

- Slide open the side door to access the spools inside the instrument.

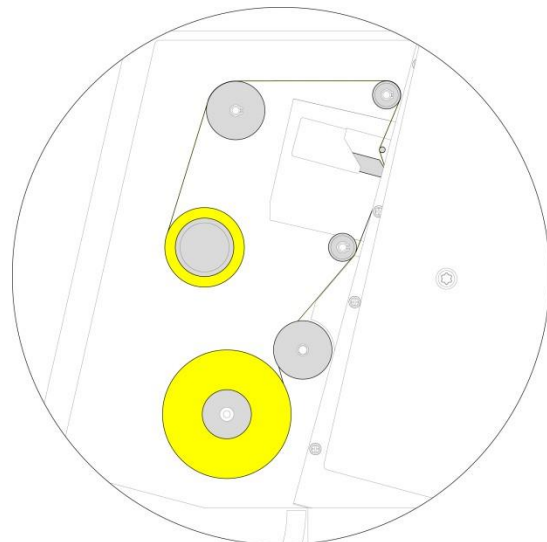


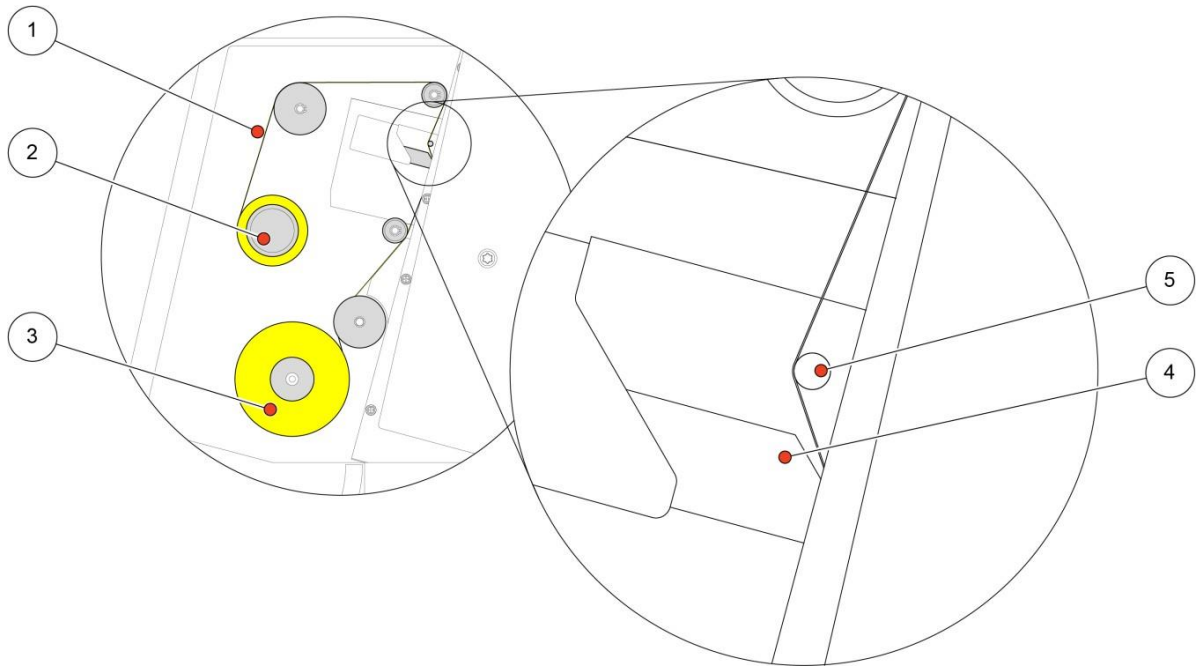
- Fit the Supply Spool onto the instrument using the clear lead attached on the roll.

- Feed the ribbon through the instrument ensuring that the tape is fitted in the correct position over every spool. Fix the ribbon to the collection spool using tape.

Note

When you fit the tape do not forget to fit the tape over the Tape Guide Pin near the Print Head. Remove the clear leader from the roll prior to affixing the ribbon to the spool. Set the leader aside for reloading tape mid-roll if necessary.





1	Tape Matt Side	4	Print Head
2	Collection Spool	5	Tape Guide Pin
3	Supply Spool		

